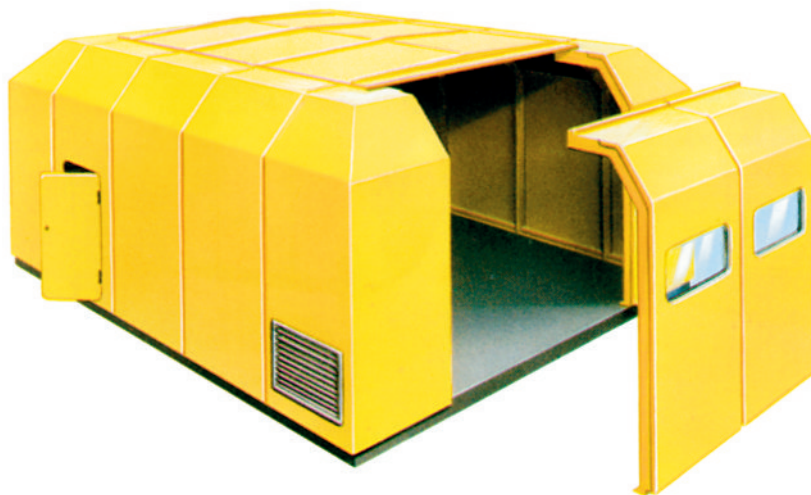


GRP Modular Building System



FOR
S



Certificate No: 135
Assessed to ISO 9001 : 2000



UTILITIES PREQUALIFICATION SCHEME

Supplier No: 84825



ALTOS



A split level ALTOS housing with double doors for plant access and 'lift-off' roof serving a nuclear power station

APPLICATIONS

The self supporting panel construction facilitates speedy installation whilst incorporating a design flexibility that can create valuable extra roof space.

Conventional structures could utilise up to five different trades, some of them 'wet' trades and all needing co-ordination at both design and building stages.

Dewey Waters will design an ALTOS for you or help you design it and we will make it, deliver it and erect it. No split responsibilities.

APPEARANCE

The ALTOS panels are finished with light, easy to clean, horizontal random ribbing. The standard colour is grey.

Note: If required, virtually any British Standard colour can be supplied within the BS5252 range.



- Air Conditioning Plant
- Lift Motors
- Plant, Equipment and Storage
- Electronic Switch Gear
- Radio & TV Repeater Stations
- Pre-Packaged Plant Room
- Complete Plant Rooms
- Remote Pumping Stations
- Treatment Plant



Extensive new low-profile PLANT ROOM on old building to accommodate up-dated services



Rooftop ALTOS modular housing

ALTOS

SECTIONAL WATER TANK AND CISTERN APPLICATIONS

The ALTOS insulated cladding system has been designed to enable under-cover access all around the tank with the option of substantial enclosed areas for housing motors, pumps, valves or other associated plant.

The units are available in a range of 1000mm and 1220mm modules to match tank panel sizes, up to 3.66M in height, in any length and are suitable (in a number of combination possibilities) for roof and ground based applications in all types of exposure.



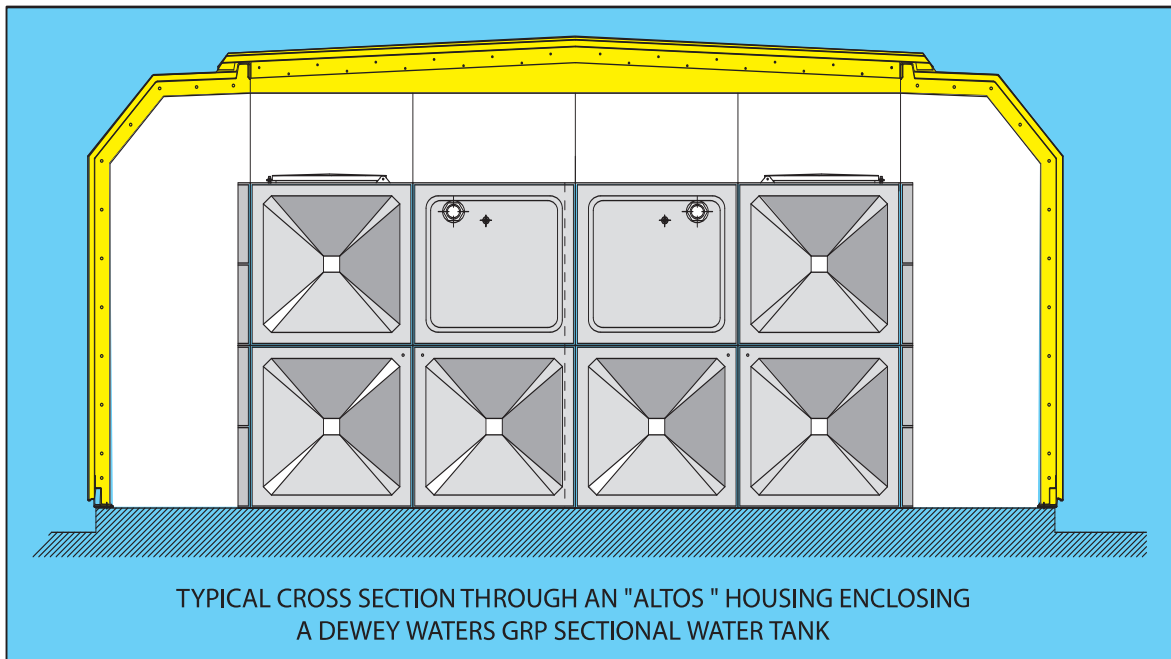
PLANTROOM EXTENSION - Lightweight ALTOS allowed new plant additions to extend onto low load bearing roof and sealed to existing brickwork



PACKAGED PLANTROOM with SECTIONAL WATER CISTERN and associated equipment

PRE-PACKAGED PLANT ROOM

We can supply ALTOS ready built on a base as a complete package.





THE ALTOS SYSTEM

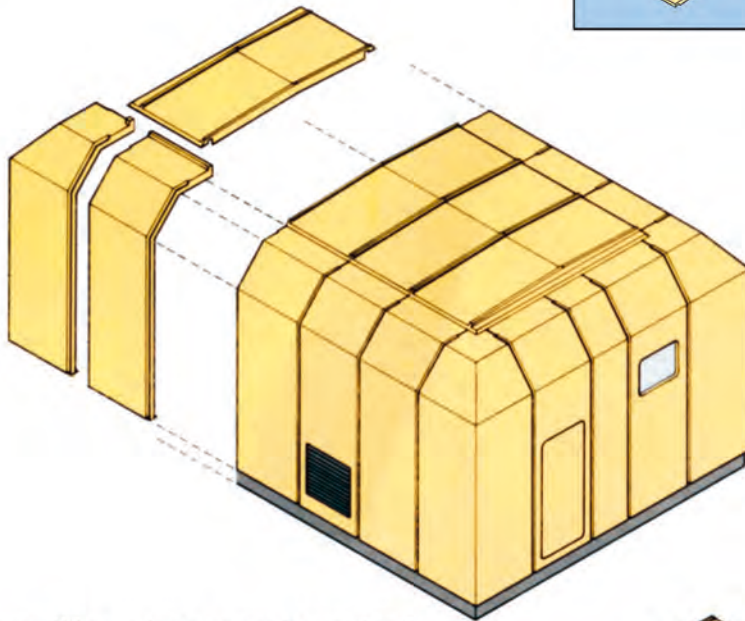
SELF-SUPPORTING

Incorporating single-span (gable) roof modules for housings up to 6 metres in width.

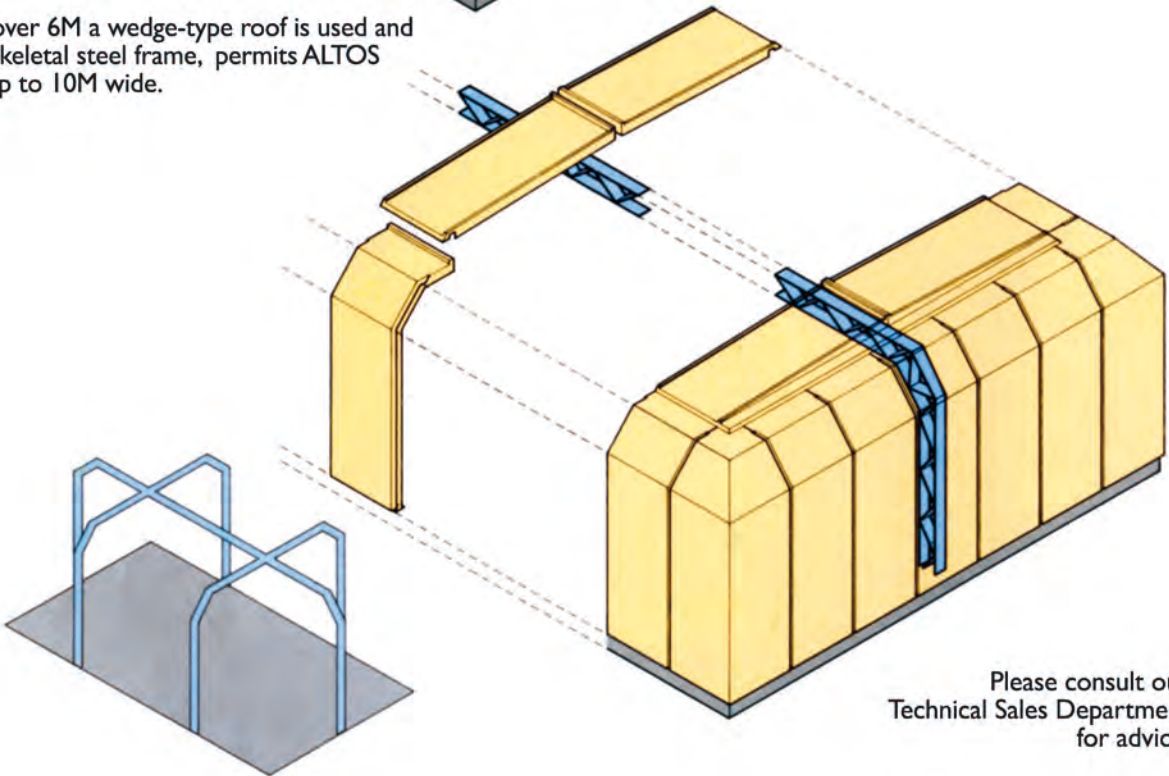
Base width = housing width - 100mm
 Base length = housing length - 100mm

WEIGHTGUIDE (kg)				
ITEM	HEIGHT or SPAN (mm)	WIDTH (mm)		CORNERS 1000mm sq
		1000	1220	
STANDARD SIDE PANEL 	1000	18	20	34
	2000	30	35	58
	3000	42	47	80
ROOF UNIT 	1000	10	14	
	2000	20	28	
	3000	30	40	
	4000	45	52	

Weight Guide for an indication only. Full details available together with Design Detail Service



For widths over 6M a wedge-type roof is used and this, with a skeletal steel frame, permits ALTOS structures up to 10M wide.



Please consult our Technical Sales Department for advice.



Dewey Waters Ltd
 Heritage Works, Winterstoke Road, Weston-Super-Mare, BS24 9AN
 • Tel: +44 (0) 1934 421477 • Fax: +44 (0) 1934 421488
 Email: sales@deweywaters.co.uk • Web: www.deweywaters.co.uk

